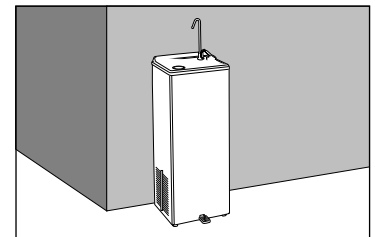
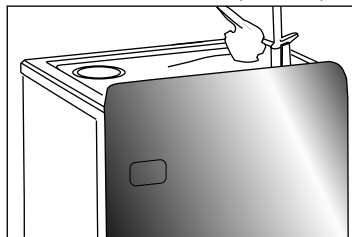




- HB 2
- SW 12
- SCW 14B
- SCW 14S



AISI 304
Stainless steel Back Panel (standard)



**Pressure
Water
Cooler**

**Fontaine
d'Eau
Refrigérée**

Wasserkühler

**Fuente
de Agua
Fria**

**Fontanella
d'Acqua
Refrigerata**

		[°C] [°F]	[l/h] [gal/h]	[v/Hz/ph]	WxDxH mm [WxDxH inches]	
SCW 14 B		8÷12 46÷53	50 13.2	230/50-60/1	400 x 330 x1040 16" x 13" x 41"	R 134 A
SCW 14 S		8÷12 46÷53	50 13.2	230/50-60/1	400 x 330 x1040 16" x 13" x 41"	R 134 A

Note:

SCW 14 B complete with: projector - glass filler - foot pedal

SCW 14 S complete with projector only

Optionals: glass filler for SCW 14 S

www.scotsman-ice.com
www.scotsman-ice.it

2

Years Warranty
Ans de Garantie
Jahre Garantie
Años de Garantía
Anni di Garanzia

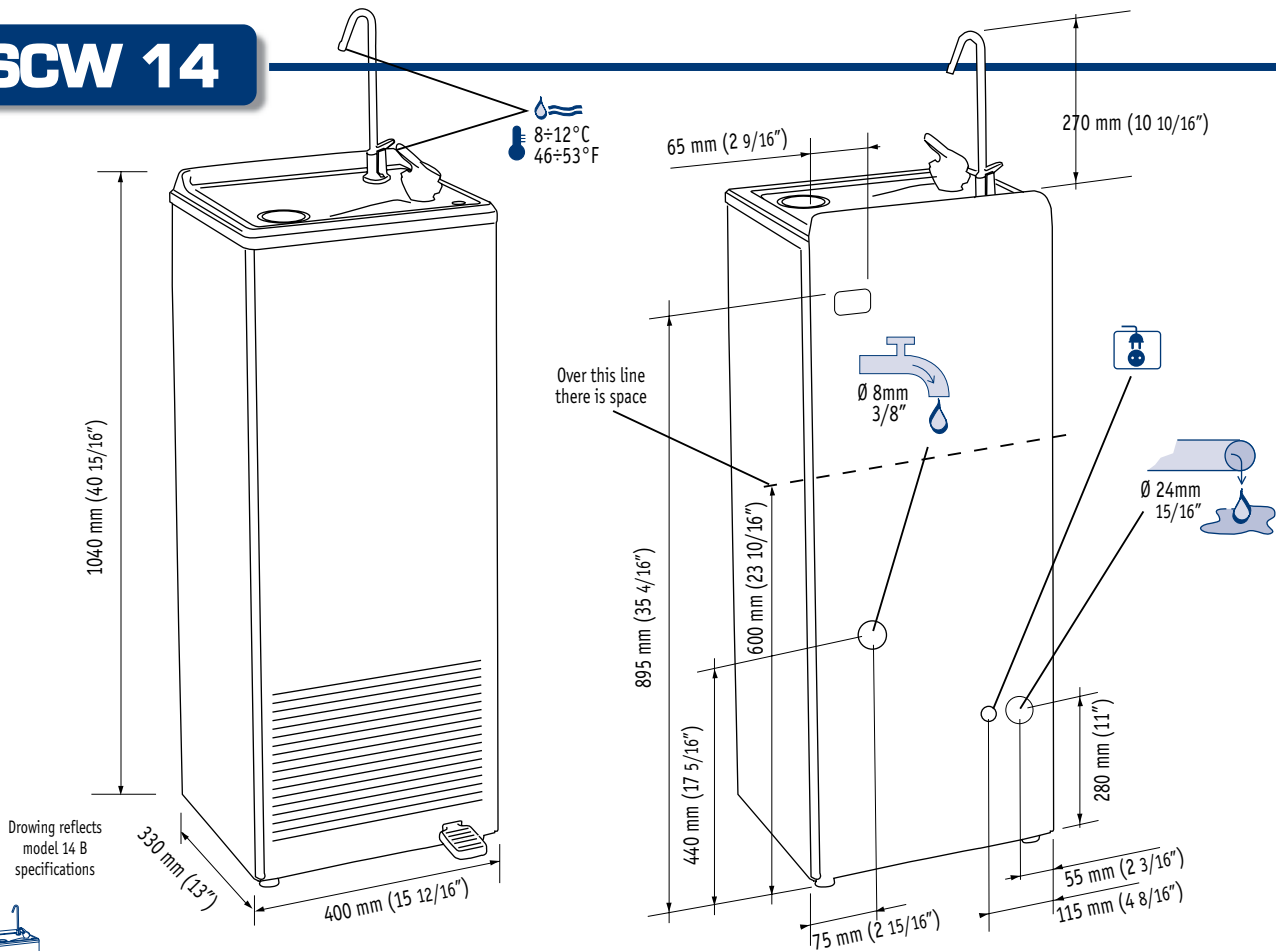
Subject to certain limitations and exclusions
Assujettie aux limites et exclusions prescrites
Abhängig von Bestimmten Einschränkungen und Ausnahmen
Sujeta a algunas limitaciones y exclusiones
Soggetta ad alcune limitazioni ed esclusioni



This product qualifies for the following listings:



SCW 14



Drawing reflects model 14 B specifications

	[Btu/h] [W/h]	[Ømm ²]	[W]	FUSE [A]	[kWh]	[kg] [lbs]	[kg] [lbs]	
SCW 14 B	1208 353	3 x 1	250	10	0.09	33 73	36 79	
SCW 14 S	1208 353	3 x 1	250	10	0.09	33 73	36 79	

Minimum

10°C (50°F)

-10%

Maximum

40°C (104 °F)

+10%

Can be used free standing or wall tight to avoid unsightly connections. Exclusive Projector Design: 2-stream mound-building projector and automatic stream regulator. Plumbing Connections: enter directly into cabinet. Waste 24 mm (1") IPS. Supply 8 mm (3/8") IPS. Finish: stainless steel.

Peut être installé au milieu d'une pièce ou contre un mur si l'on veut éviter les raccords inesthétiques. Brévet exclusif du robinet rince bouche: rince bouche à double jet à réglage automatique du jet. Reccordshydrauliques: ils débouchent directement dans le meuble. Evacuation 24 mm D.I. (1"). Arrivée d'eau 8 mm D.I. (3/8"). Finissage: acier inox.

Freistehend oder an der Wand, wobei die Anschlüsse nicht siehbar sind. Exklusiv-Stahlvorrichtung: Doppelstahlvorrichtung mit automatischer Wasserstahlregulierung. Rohrverbindungen: verlaufen direkt in den Aufbau des Gerätes. Abfluss 24 mm (1") innendurchmesser. Einlauf 8 mm (3/8") Innendurchmesser. Ausführung: Edelstahl.

Modelo de columna para instalación libre sobre el pavimento ó en pared para ocultar las conexiones a la vista y mantener una línea estética. Grifo a chorro de tipo exclusivo: grifo de doble chorro con regulación automática del flujo. Conexiones de agua directamente en el mueble de la maquina. Terminación: acero inoxidable.

Modelo a colonna per installazione libera sopra il pavimento oppure a parete per mantenere l'estetica della linea con collegamenti non a vista sul retro. Rubinetto a getto di tipo esclusivo: rubinetto a doppio getto con erogazione automatica del flusso. Collegamenti idraulici: si collegano direttamente nel mobile della macchina. Finitura: acciaio inox.

Scotsman® The one the world relies on.
Ice Systems

Certified ISO 9001:2000

<p>USA, Canada, Latin America Scotsman Ice Systems USA 775 Corporate Woods Parkway Vernon Hills, IL 60061 Ph: (+1) 847 215-4550 Fax (+1) 847 913-9844 customer.service@scotsman-ice.com</p>	<p>Europe Scotsman Europe-Frimont S.p.A. Via Puccini, 22 20010 Pogliano (Milano) Italy Ph: (+39) 02-93960208 Fax: (+39) 02-93960201 scotsman.europe@frimont.it</p>	<p>Asia and Pacific Scotsman Ice Systems-Frimont S.p.A. (R.O.) 627A Aljunied Road-#04-04 Biztech Centre Singapore 389842 Ph: (+65) 6738 5393 Fax: (+65) 6738 1959 scotsice@singnet.com.sg</p>	<p>China Scotsman Ice Systems 258 Tong Ren Road Golden Tower 7A Shanghai-200040 Peoples's Republic of China Ph: (+86) 21-62476056 Fax: (+86) 21-62476126 scotsmarsh@online.sh.cn</p>	<p>Middle East & N. Africa Scotsman Ice Systems Dubai Office P.o. Box 13205 - Deira Dubai - U.A.E. Mobile Ph: (+971) 505505980 Fax (+971) 6-5654063 scotsman@emirates.net.ae</p>	<p>South Africa Scotsman Ice Systems SA (PTY) Ltd. 10, Rhodes Street - Kensington B P.o. Box 44 - Riverclub 2149 Ph: (+27) 11-7898400 Fax (+27) 11-7898411 scotsman@telkomsa.net</p>
--	---	--	---	---	---